

# JVC

## SERVICE MANUAL

### COMPACT COMPONENT SYSTEM

## MX-J100

### Supplement

#### Area Suffix

A .....	Australia
UP .....	Korea
US .....	Singapore
UT .....	Taiwan
UY .....	Argentina
UZ .....	Production country mark
U .....	Other Areas

**Change of the supplying system for CD mechanism parts for the MX-J100  
(Manual No.20855).**

**<Old system> Supplied as individual parts**

**<New system> Supplied as a unit of assembly parts**

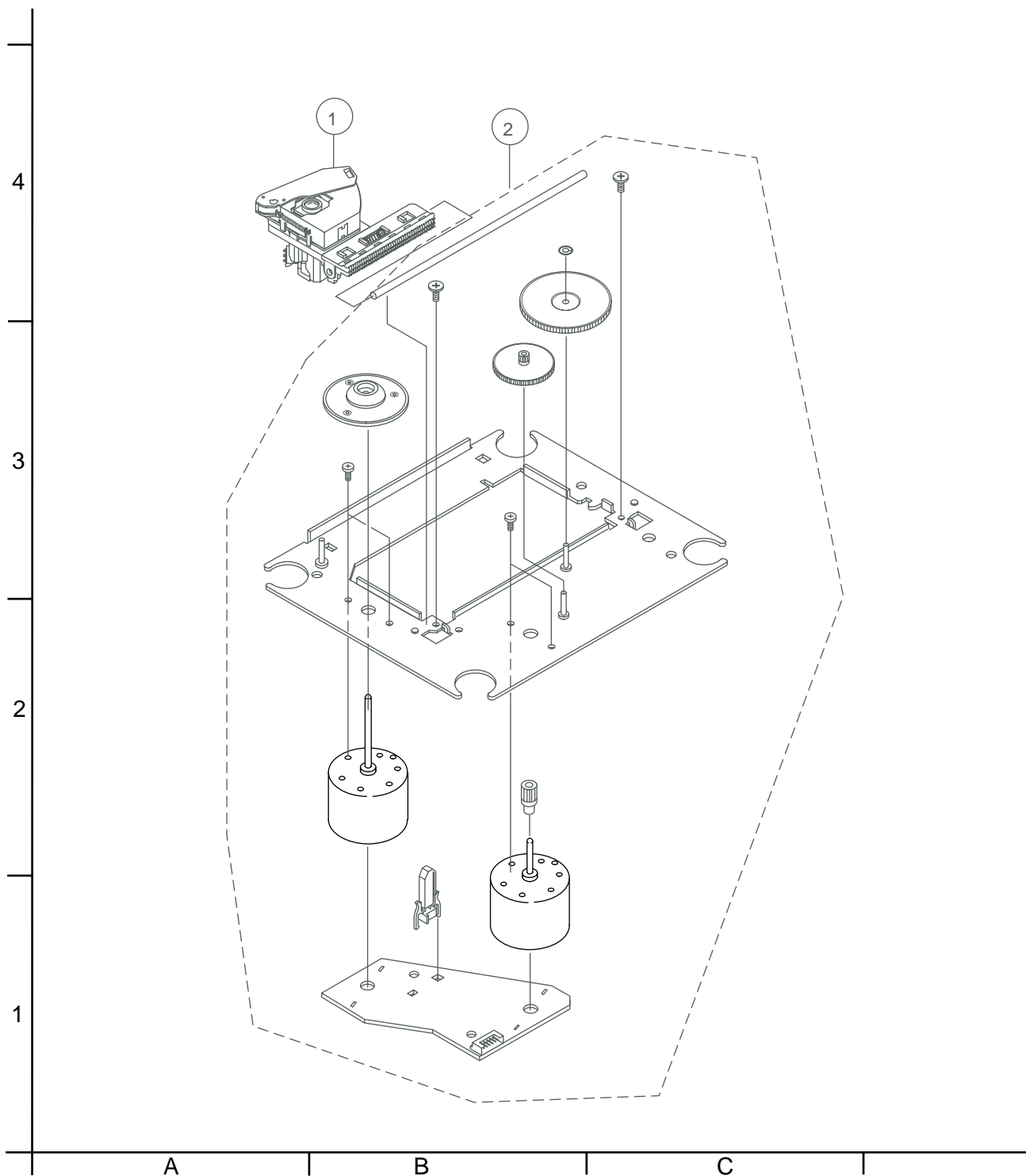
**Reason : We are not able to supply individual parts for servicing.**

**Please make an order for assembly parts according to the new system from  
now on.**

**For parts list refer to the back cover.**

# CD mechanism assembly and parts list

Block No. M 2 M M



## Parts list(CD mechanism)

Block No. M2MM

▲	Item	Parts number	Parts name	Q'ty	Description	Area
	1	AH30-00007A	PIC UP	1	SOH-AA,D51SG6(W	
	2	AH91-60150C	CDP DECK ASSY	1	CMS-300D,-	

# JVC

VICTOR COMPANY OF JAPAN, LIMITED  
 AUDIO & COMMUNICATION BUSINESS DIVISION  
 PERSONAL & MOBILE NETWORK BUSINESS UNIT. 10-1,1chome,Ohwatari-machi,Maebashi-city,371-8543,Japan

(No.20855B)

Printed in Japan  
200104(V)